



Microchip Technology Incorporated
 2355 W. Chandler Blvd.
 Chandler, AZ 85224-6199

| KEY | |
|---------------|------------------|
| CR: Cross | D: Drawing |
| CS: Consign | B: BOM |
| PL: Pack List | LBL: Label |
| | Q: Quality Check |

ASSEMBLY NUMBER: 12-00720-4

REV: C

ASSEMBLY NAME: FINAL ASSY, PICKIT 18-PIN DEMO BOARD

Bill of Materials

| Qty | | Part Number | Rev | Description | Manufacturer | Vendor / Part No | C | C | P | Type |
|-----|---|-------------|-----|--|--|------------------|---|---|---|------|
| | | | | | | | R | S | L | |
| 1 | 1 | 11-00268 | 2 | ASSY, PICKIT 18-PIN BOARD + 2 BARE BOARDS | | | | | Y | BQ |
| 2 | 1 | DS51282 | * | PRODUCT CASE, SMALL TOOLS BOX - 8x5.25x1.625 | | | | | Y | PART |
| | | | | UNISOURCE | <input checked="" type="checkbox"/> RoHS Compliant | Avail: | | | | |
| 3 | 1 | DS30210 | * | DOC, "IMPORTANT INFORMATION" MICROCHIP INFORMATION | | | | | Y | DOC |
| 4 | 1 | DS30030 | * | DOC, WARRANTY/REGISTRATION CARD | | | | | Y | DOC |
| 5 | 1 | 08-00237 | 3 | LABEL, PRODUCT, FINAL ASSY, SERIAL NO. OPTIONAL | | | | | | LBL |



Microchip Technology Incorporated
 2355 W. Chandler Blvd.
 Chandler, AZ 85224-6199

| KEY | |
|---------------|------------------|
| CR: Cross | D: Drawing |
| CS: Consign | B: BOM |
| PL: Pack List | LBL: Label |
| | Q: Quality Check |

ASSEMBLY NUMBER: 11-00268

REV: 2

ASSEMBLY NAME: ASSY, PICKIT 18-PIN BOARD + 2 BARE BOARDS

Bill of Materials

| Qty | | Part Number | Rev | Description | Manufacturer | Vendor / Part No | C | C | P | Type |
|-----|---|-------------|-----|---|--------------|------------------|---|---|---|------|
| | | | | | | | R | S | L | |
| 1 | 1 | 02-01955 | B | PCB ASSY, PICKIT 18-PIN DEMO BOARD | | | | | Y | B |
| 2 | 2 | 04-01955 | 1 | PCB FABRICATION, PICKIT 18-PIN DEMO BOARD | | | | | Y | D |



Microchip Technology Incorporated
 2355 W. Chandler Blvd.
 Chandler, AZ 85224-6199

| KEY | |
|---------------|------------------|
| CR: Cross | D: Drawing |
| CS: Consign | B: BOM |
| PL: Pack List | LBL: Label |
| | Q: Quality Check |

ASSEMBLY NUMBER: 02-01955

REV: B

ASSEMBLY NAME: PCB ASSY, PICKIT 18-PIN DEMO BOARD

Bill of Materials

| Qty | Part Number | Rev | Description | Manufacturer | Vendor / Part No | C C P | | | Type |
|-----|-------------|-----|---|--|----------------------------|-------|---|---|------|
| | | | | | | R | S | L | |
| 1 | 02-01955-D | 1 | PCB ASSY DWG, PICKIT 18-PIN DEMO BOARD | | | | | | D |
| 2 | 03-01955 | 1 | SCHEMATIC, PICKIT 18-PIN DEMO BOARD | | | | | | D |
| 3 | 04-01955 | 1 | PCB FABRICATION, PICKIT 18-PIN DEMO BOARD | | | | | | D |
| 4 | 08-00126 | 6 | LABEL, NEED HELP WITH ASSY/SERIAL bottom side of board | | | | | | LBL |
| 5 | MIC0641 | | IC SMT, PIC16F1827-I/P 18L DIP @U1 MICROCHIP PIC16F1827-I/P LEAV17F3XB04 | RoHS Compliant <input checked="" type="checkbox"/> | Avail: | | | Y | PART |
| 6 | CAP0313 | | CAP THR, 0.1uF CER 50V 20% Z5U (0.100"ls) C1, C2 KEMET C315C104M5U5CA DIGIKEY 399-2127-ND KEMET C315C104M5U5TA DIGIKEY 399-4145-ND | RoHS Compliant <input type="checkbox"/> RoHS Compliant <input checked="" type="checkbox"/> | Avail: Avail: | | | | PART |
| 7 | RES0050 | | RES, CF 470-OHM 1/6W 5% R3, R4, R5, R6 YAGEO CFR-12JR-470R DIGIKEY 470ETR-ND YAGEO CFR-12JB-470R DIGIKEY 470EBK-ND | RoHS Compliant <input checked="" type="checkbox"/> RoHS Compliant <input checked="" type="checkbox"/> | Avail: Avail: | | | | PART |
| 8 | RES0023 | | RES, CF 1K-OHM 1/6W 5% R2, R7 SEI (STACKPOL CF-1/8-1k-5%-TR YAGEO CFR-12JB-1K0 DIGIKEY 1.0KEBK-ND YAGEO CFR-12JR-1K0 DIGIKEY 1.0KETR-ND | RoHS Compliant <input checked="" type="checkbox"/> RoHS Compliant <input checked="" type="checkbox"/> RoHS Compliant <input checked="" type="checkbox"/> | Avail: Avail: Avail: | | | | PART |
| 9 | RES0009 | | RES, CF 10K-OHM 1/6W 5% R1 YAGEO CFR-12JR-5210K YAGEO CFR-12JB-10K DIGIKEY 10KEBK-ND | RoHS Compliant <input checked="" type="checkbox"/> RoHS Compliant <input checked="" type="checkbox"/> | Avail: Avail: | | | | PART |



Microchip Technology Incorporated
 2355 W. Chandler Blvd.
 Chandler, AZ 85224-6199

| KEY | |
|---------------|------------------|
| CR: Cross | D: Drawing |
| CS: Consign | B: BOM |
| PL: Pack List | LBL: Label |
| | Q: Quality Check |

ASSEMBLY NUMBER: 02-01955

REV: B

ASSEMBLY NAME: PCB ASSY, PICKIT 18-PIN DEMO BOARD

Bill of Materials

| Qty | Part Number | Rev | Description | Manufacturer | Vendor / Part No | C C P | | | Type |
|-----|-------------|----------|---|--|--|-------|---|---|------|
| | | | | | | R | S | L | |
| 10 | 1 | RPOT0019 | RES POT, 10K-OHM THUMBWH CERM ST RP1 BOURNS 3352E-1-103 DIGIKEY 3352E-103-ND BOURNS 3352E-1-103LF | <input type="checkbox"/> RoHS Compliant <input checked="" type="checkbox"/> RoHS Compliant | Avail: Avail: | | | | PART |
| 11 | 0 | -OR- | -OR- | | | | | | PART |
| 12 | 1 | RPOT0005 | RES POT, 10K-OHM 1/2W THUMBWH CERM ST RP1 BOURNS 3352T-1-103 DIGIKEY 3352T-103-ND BOURNS 3352T-1-103LF DIGIKEY 3352T-103LF-ND | <input type="checkbox"/> RoHS Compliant <input checked="" type="checkbox"/> RoHS Compliant | Avail: Avail: | | | | PART |
| 13 | 4 | LED0023 | LED, T1-3/4 RED DIFF DS1, DS2, DS3, DS4 PANASONIC LN21RPHL DIGIKEY P300-ND AGILENT TECH HLMP-3301 DIGIKEY 516-1328-ND DIALIGHT 521-9445 DIALIGHT 521-9165 LEDTRONICS L200TR4D ROHM SLR-56-VR3F PANASONIC LN21RPX LUMEX SSL-LX5093ID DIGIKEY 67-1105-ND | <input type="checkbox"/> RoHS Compliant <input type="checkbox"/> RoHS Compliant <input type="checkbox"/> RoHS Compliant <input type="checkbox"/> RoHS Compliant <input checked="" type="checkbox"/> RoHS Compliant <input checked="" type="checkbox"/> RoHS Compliant <input checked="" type="checkbox"/> RoHS Compliant | Avail: Avail: Avail: Avail: Avail: Avail: Avail: | | | | PART |



Microchip Technology Incorporated
 2355 W. Chandler Blvd.
 Chandler, AZ 85224-6199

| KEY | |
|---------------|------------------|
| CR: Cross | D: Drawing |
| CS: Consign | B: BOM |
| PL: Pack List | LBL: Label |
| | Q: Quality Check |

ASSEMBLY NUMBER: 02-01955

REV: B

ASSEMBLY NAME: PCB ASSY, PICKIT 18-PIN DEMO BOARD

Bill of Materials

| Qty | Part Number | Rev | Description | Manufacturer | Vendor / Part No | C C P | | | Type |
|-----|-------------|------------|---|---|--|-------|---|---|------|
| | | | | | | R | S | L | |
| 14 | 1 | SKT0015 | SOCKET, 18L DIP 0.300W COLLET OPEN FRAME U1 MILL-MAX 110-91-318-41-001 MILL-MAX 110-93-318-41-001 DIGIKEY ED3318-ND ARIES 18-3518-11 ARIES 18-3518-10 DIGIKEY A403AE-ND MILL-MAX 110-13-318-41-001 MILL-MAX 110-44-318-41-001000 DIGIKEY ED90051-ND SAMTEC ICA-318-S-TT SAMTEC ICA-318-S-GG SAMTEC ICA-318-S-ST MILL-MAX 110-99-318-41-001 | <input type="checkbox"/> RoHS Compliant <input type="checkbox"/> RoHS Compliant <input checked="" type="checkbox"/> RoHS Compliant <input checked="" type="checkbox"/> RoHS Compliant <input checked="" type="checkbox"/> RoHS Compliant <input checked="" type="checkbox"/> RoHS Compliant <input checked="" type="checkbox"/> RoHS Compliant <input checked="" type="checkbox"/> RoHS Compliant <input checked="" type="checkbox"/> RoHS Compliant <input type="checkbox"/> RoHS Compliant | Avail: Avail: Avail: Avail: Avail: Avail: Avail: Avail: Avail: Avail: | | | | PART |
| 15 | 1 | SWITCH0022 | SWITCH, PUSH BUTTON SPST MOM 6mm LIGHT TOUCH, WHITE 100/130gF SW1 RAYCON TECH RT-DTS-61K PANASONIC EVQ-PAD04M DIGIKEY P8007S-ND OMRON B3W-1000 DIGIKEY SW400-ND E-SWITCH TL1105F250Q DIGIKEY EG1828-ND FUK HING INDU TS-1024301-150 CAMTECH OMRON B3F-1000 DIGIKEY SW400-ND | <input type="checkbox"/> RoHS Compliant <input checked="" type="checkbox"/> RoHS Compliant <input checked="" type="checkbox"/> RoHS Compliant <input checked="" type="checkbox"/> RoHS Compliant <input type="checkbox"/> RoHS Compliant <input checked="" type="checkbox"/> RoHS Compliant | Avail: Avail: Avail: Avail: Avail: Avail: | | | | PART |
| 16 | 1 | CON0107 | CONN, HDR, 1x6 BREAKAWAY, 0.100" PITCH, 0.025 SQ, RA, (0.230/0.090) P1 MILL-MAX 800-10-006-20-001000 TYCO/AMP 103765-6 JAMECO 677548 MILL-MAX 800-40-006-20-001000 SAMTEC HTSW-106-08-G-S-RA TYCO/AMP 9-103325-0-06 DIGIKEY A32702-06-ND | <input type="checkbox"/> RoHS Compliant <input type="checkbox"/> RoHS Compliant <input checked="" type="checkbox"/> RoHS Compliant <input checked="" type="checkbox"/> RoHS Compliant <input checked="" type="checkbox"/> RoHS Compliant <input checked="" type="checkbox"/> RoHS Compliant | Avail: Avail: Avail: Avail: Avail: Avail: | | | | PART |



Microchip Technology Incorporated
 2355 W. Chandler Blvd.
 Chandler, AZ 85224-6199

| KEY | |
|---------------|------------------|
| CR: Cross | D: Drawing |
| CS: Consign | B: BOM |
| PL: Pack List | LBL: Label |
| | Q: Quality Check |

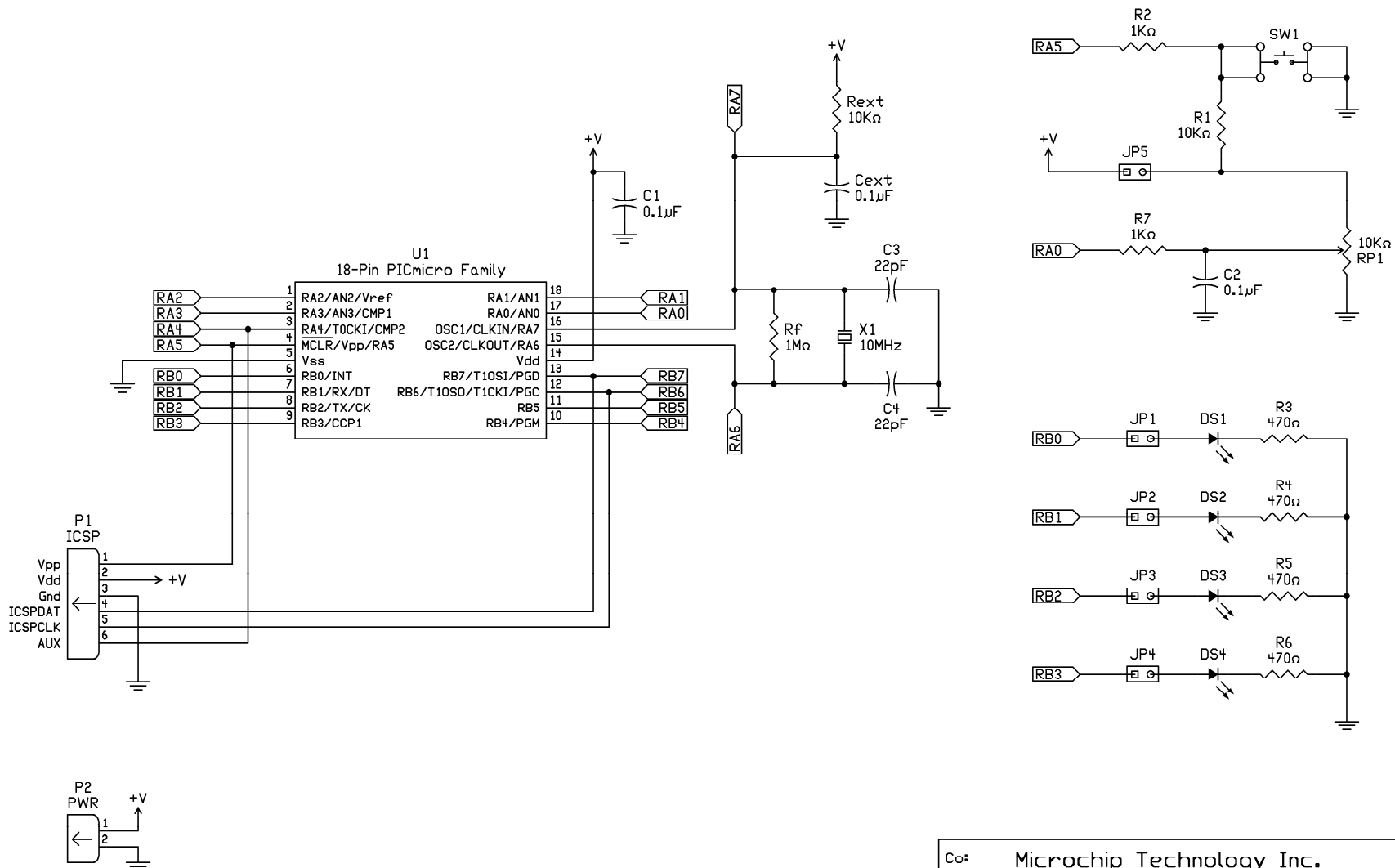
ASSEMBLY NUMBER: 02-01955

REV: B

ASSEMBLY NAME: PCB ASSY, PICKIT 18-PIN DEMO BOARD

Bill of Materials

| Qty | Part Number | Rev | Description | Manufacturer | Vendor / Part No | C C P | | | Type |
|-----|-------------|----------|--|--|------------------|-------|---|---|------|
| | | | | | | R | S | L | |
| 17 | 4 | MISC0041 | MISC, RUBBER FEET, 0.40 SQ x 0.1 THK BLACK place on bottom side of board per 02-01955-D 3M SJ-5007 DIGIKEY SJ5007-0-ND | <input checked="" type="checkbox"/> RoHS Compliant | Avail: | | | | PART |
| 18 | 0 | -SPARE- | -SPARE- LOCATION DO NOT INSTALL C3, C4, Cext, JP1, JP2, JP3, JP4, JP5, P2, Rf, Rext, X1 | | | | | | PART |



| | | | |
|---------|-----------------------------|-----------|--------|
| Co: | Microchip Technology Inc. | | |
| Title: | PICkit™ 2 18-Pin Demo Board | | |
| Number: | 03-01955 | Revision: | 1 |
| Author: | Steven Bible | Size: | A |
| Date: | October 16, 2006 | Sheet | 1 of 1 |